

# MOISTURE ANALYZER MA 3Y



release date 06-10-2014



Moisture analyzer is a laboratory measuring instrument intended to determine relative moisture content in samples of different substances. **MA 3Y** features 5,7" LCD colour touch panel which provides new possibilities of instrument's operation and presenting measurement results. It features extended databases containing programmable drying modes related to the database of samples. MA 3Y series enables printing and exporting charts presented on its display to a BMP file.

### Highlights of moisture analyzer MA3Y series:

- accuracy of moisture content readout 0,0001%
- heating components: halogen, IR emitter or a heater in metal housing,
- graphic presentation of drying result, charts:  $\Delta m$ , %M, %D, %R,
- drying profiles: standard, mild, step, quick
- finish mode: AUTO 1 – 5, manual, automatic, time defined
- database of drying procedures: ~1000 records for each data type
- database of samples
- interfaces: 2 x USB 2.0; 4IN / 4OUT; RS 232; Ethernet 10/100Mbit.



**2 years warranty period**

### NOVELTY:

3Y series balances are equipped with **802.11b/g/n WiFi** communication interface operating with frequency range 2.4+2.472 GHz (1+13 channels). Communication is established likewise as for any other interfaces, e.g.: RS 232, Ethernet.

Personalization of instrument's settings is carried out in extended user profiles. Level control is based on LevelSENSING system, RADWAG patented solution, which uses a system of an electronic level. Standard and user defined printouts allow for maintaining documentation complying with GLP/GMP requirements practically in any application.

### Technical data:

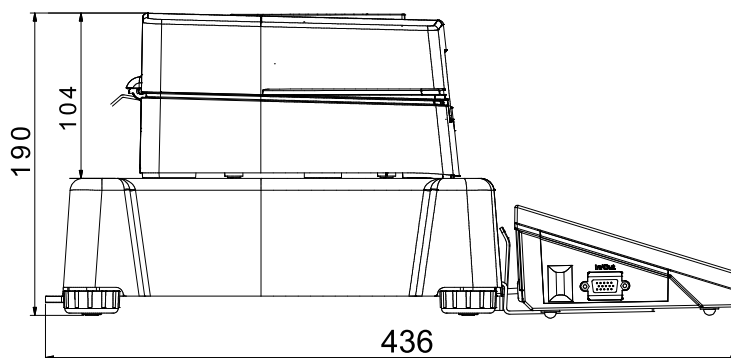
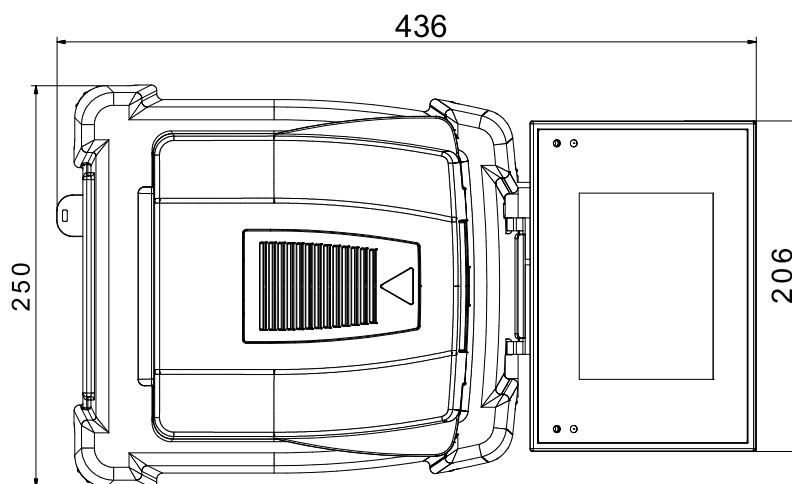
	MA 60.3Y	MA 200.3Y
Max capacity	60 g	200 g
Reading unit	0,1 mg	1 mg
Tare range	-60 g	-200 g
Max sampling mass	60 g	200 g
Accuracy of moisture readout	0,0001 %	0,001 %
Repeatability of moisture readout	0,05% (sample 2 g), 0,01% (sample 10 g)	
Maximal height of the tested sample	h= 20 mm	
Pan size	ø 90 mm, h= 8 mm	
Range of drying temperature *	max. 160° C	
Heating module **	IR emitter	
Power of heating device	400 W	
Drying modes	4 drying modes (standard, quick, step, mild)	
Auto switch off options	3 modes (manual, automatic, time defined)	
Additional functions	sample identification, drying diagram	
Working temperature	+10° ÷ +40 °C	
Power supply	220÷240 V AC, 50÷60 Hz	
Display	LCD 5,7" with touch panel	
Interface	2 x USB 2.0, 4 Inputs / 4 Outputs, RS 232, Ethernet 10/100Mbit, Wi-Fi 802.11 b/g/n	
Net weight/Gross weight	6 / 10 kg	
Packaging size	595 x 395 x 420 mm	

\* Moisture analyzer available with upgraded maximum drying temperature to 250°C

\*\* Optionally available heating elements:

- halogen (max= 250°C)
- metal heater (max= 160°C)

## Dimensions:



## Additional equipment:

Antivibration table for laboratory balances	Computer Software: PW-WIN 2005, RAD-KEY 2000
Kafka thermal printer	Control Thermometer GT105k-12
Dot matrix Epson printer	Disposable Weighing Pans
Label printer Citizen	Mass Standard
PC USB keyboard	Cable RS 232 (scale - Kafka printer) "P0136"
Antistatic cable PA1	Cable RS 232 (scale, Epson, Citizen printer) "P0151"